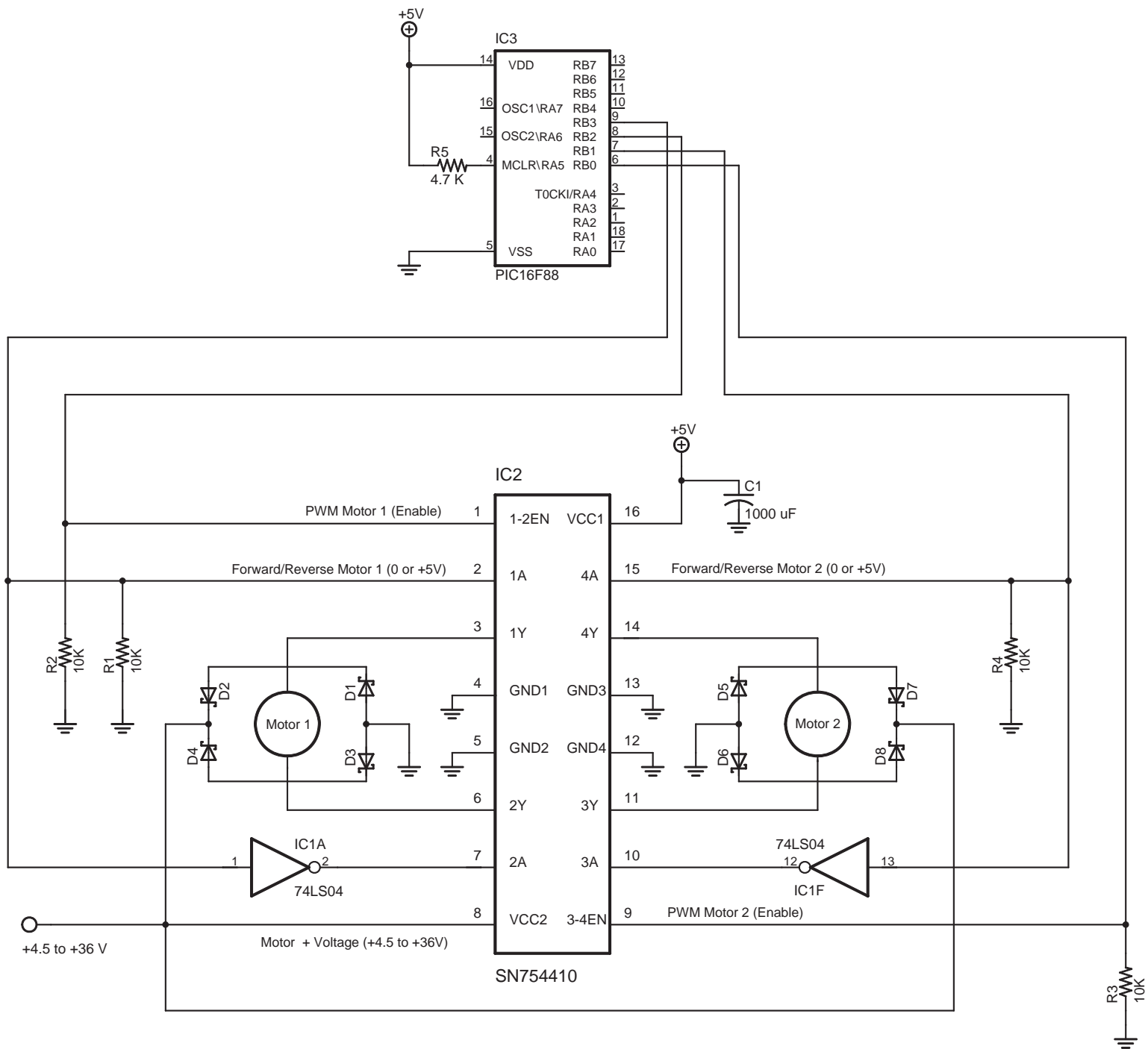


# Sonar Car Circuitry 1



NOTES:

1. D1 - D8 1N5817
2. 74LS04 Pin 7 GND  
74LS04 Pin 14 Vcc +5V
3. SN754410 GNDS Also Act As Heatsinks, Ground Separately

Texas Instrument SN754410 H-Bridge Motor Driver